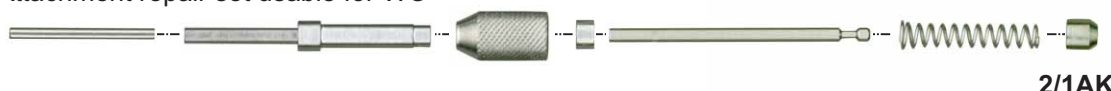



Biopsy Forceps Repairs

Attachment repair set usable for WO

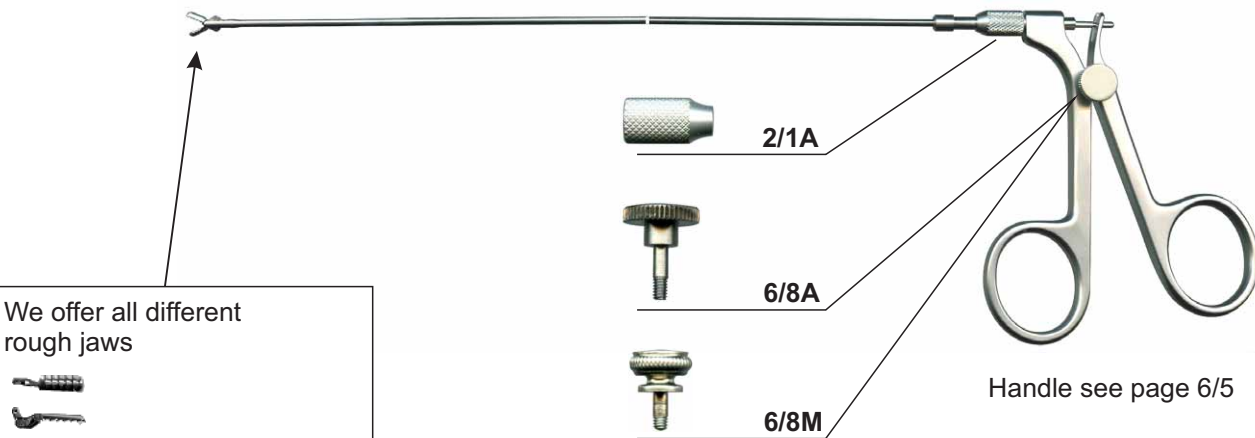


2/1AK

Attachment repair set usable for ST



2/1AL




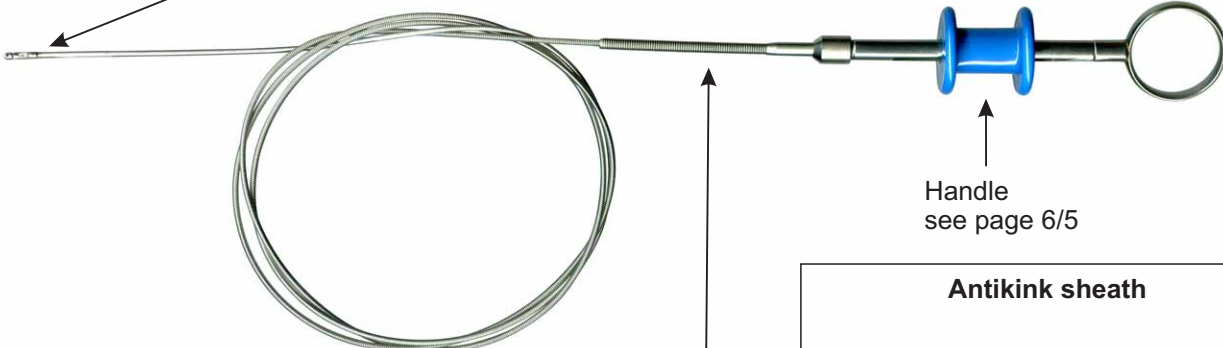
2/1A

6/8A

6/8M

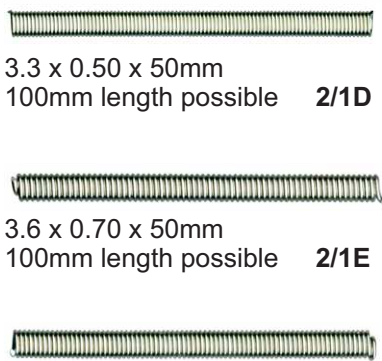
Handle see page 6/5

We offer all different rough jaws

Handle see page 6/5

Antikink sheath 1:1



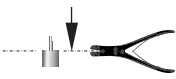
3.3 x 0.50 x 50mm
100mm length possible **2/1D**

3.6 x 0.70 x 50mm
100mm length possible **2/1E**

3.7 x 0.60 x 50mm
100mm length possible **2/1F**

Rivet for Jaws

Ø2 - Ø6
(see pricelist) 1:1



2/1P-(x)

ØOD1

ØOD2

short

long

Link - see page NP Link-01/-02

150618 2_01